

Redwood 8x10 Deck

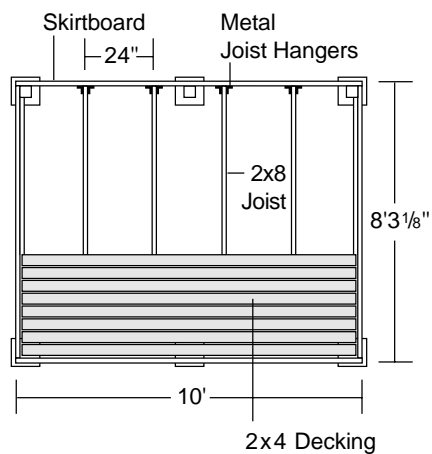
This small deck can make a big difference at a garden doorway, next to a retaining wall or under your favorite tree. It's relatively easy to build and won't cost too much either.

- 1 Placement** First decide the placement and height of the deck. You can build a free-standing deck or one that is attached to the side of your house.

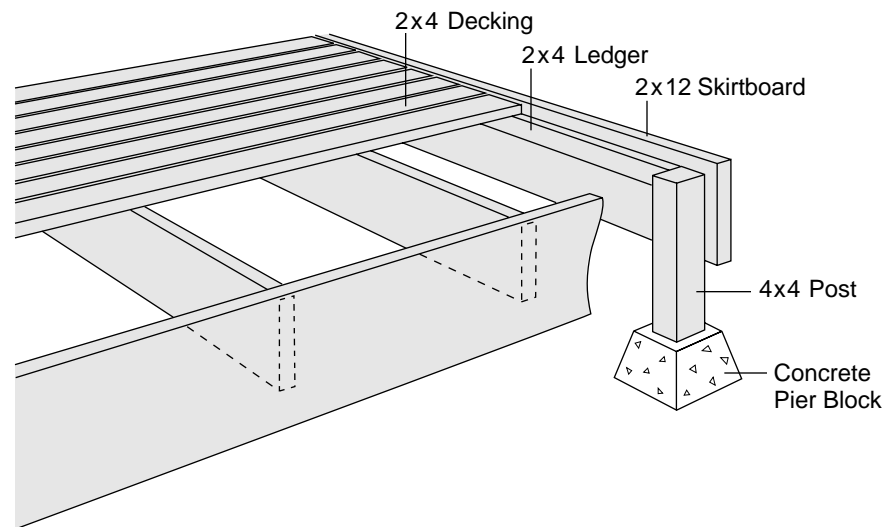
NOTE: The deck described here is free-standing. To attach the deck to a house, anchor one of the skirtboards to the house framing with the simplest anchoring system permitted by local building codes.

If the deck is adjacent to a house, it should be about one inch below the interior floor or a comfortable step down, usually about 7 inches.

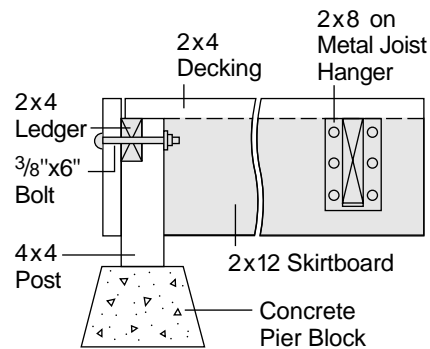
- 2 Corners** Mark the deck corners with stakes and string. Check the squareness of the projections by measuring between stakes. Then measure diagonally between the corners. If the two diagonal measurements are equal, the corners of the deck are properly marked.



- 3 Posts** Place the posts in position. If you are using a ledger on the side of the house, you will need three posts. For a free-standing deck, you will need six. Post lengths will vary according to the contour of the ground. Establish the height at one



corner and use this to measure the others. Accurate measurement and trimming of the posts can be achieved using a string level or a carpenter's level. Post tops should be $1\frac{1}{2}$ inches below the top of the skirtboards. This provides room for the deckboards. Toenail posts to the nailing blocks or pre-cast concrete footings.



- 4 Skirtboards** Attach the 2x4 ledgers to the two 8-foot skirtboards with $\frac{3}{4}$ x 2 $\frac{1}{4}$ -inch lag screws. The ledgers will support the ends of the decking. Bolt the skirtboards to the posts with $\frac{3}{4}$ x 6-inch carriage bolts, washers and nuts.
- 5 Joists** Attach 2x8 joists using metal joist hangers. Leave room so that the decking will be even with the top of the skirtboards. Space the joists 24 inches on center, which means the center of one joist is 24 inches from the next.
- 6 Decking** Lay the 26 2x4 deckboards on the joists. Do not nail the boards in place until you are satisfied with their arrangement and spacing. Install deck boards "bark side up." Pre-drill nail holes near the ends of boards to prevent splitting. Nail decking in place.

Deck Materials

Description **Quantity** **Size** **Length**
Construction Heart/Deck Heart*

Posts	6 pieces	4x4	varied
Skirtboard	2 pieces	2x12	10 feet
Skirtboard	2 pieces	2x12	8 feet
Ledgers	2 pieces	2x4	8 feet
Joists	4 pieces	2x8	8 feet

Construction Common/Deck Common*

Deckboards	26 pieces	2x4	10 feet
------------	-----------	-----	---------

Other Materials

Quantity **Description**

1 lb.	16-penny nails
8	2x8 joist hangers
10	$\frac{3}{4}$ x 2 $\frac{1}{4}$ -inch lag screws
10	$\frac{3}{4}$ x 6-inch carriage bolts, washers & nuts
6	Concrete footings with nailing blocks

Use non-corrosive, hot-dipped galvanized, stainless steel or aluminum fasteners and hardware.

*Deck Heart and Deck Common are available in 2x4 and 2x6.